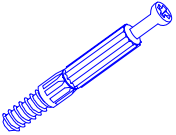
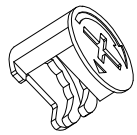
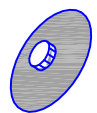

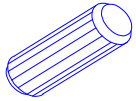
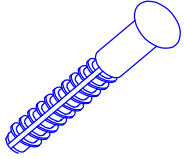
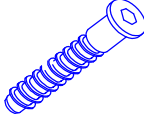
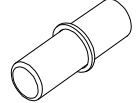
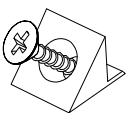

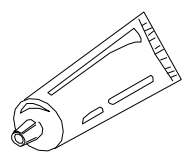
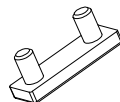



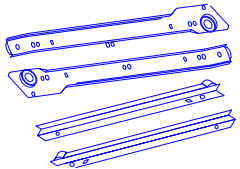
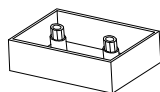
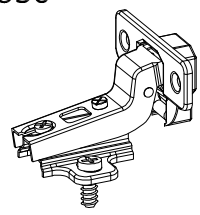


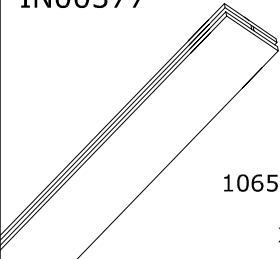
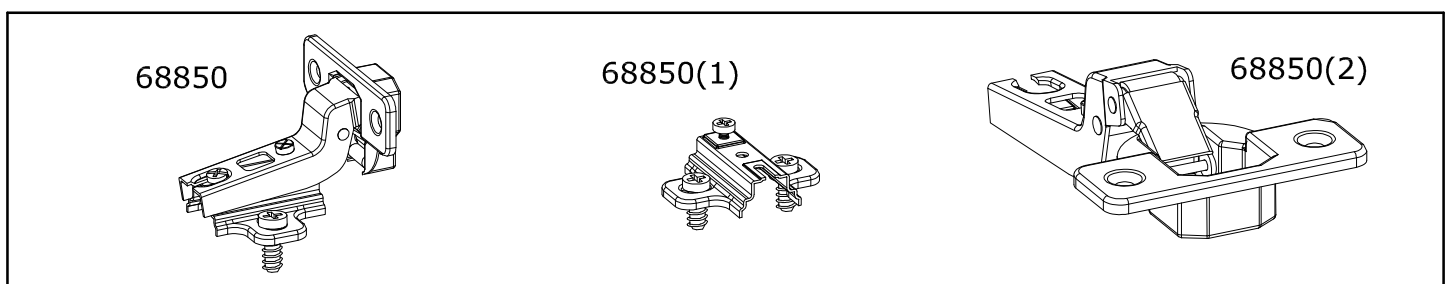
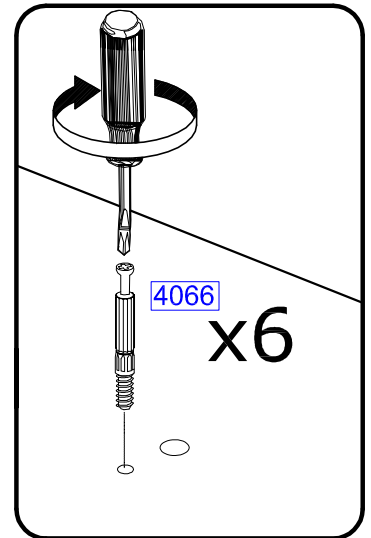
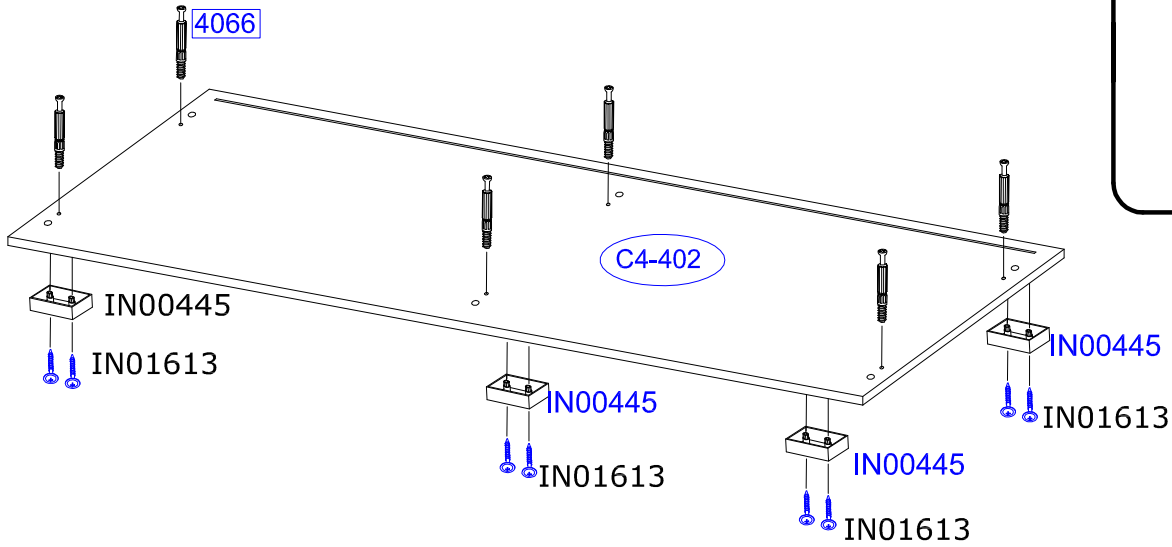


<p>4066</p>  <p>Ø6.5x36.5mm x19</p>	<p>3996</p>  <p>Ø15x12 mm x19</p>	<p>136236</p>  <p>Ø20 x19</p>	<p>4108</p>  <p>Ø10 x4</p>
<p>3989</p>  <p>Ø8x30mm x26</p>	<p>IN01157</p>  <p>x4</p>	<p>3884</p>  <p>x4</p>	<p>4017</p>  <p>Ø5x16 mm G-8</p>
<p>4044</p>  <p>15x14x11 mm x14</p>	<p>3918</p>  <p>Ø3,5X16 mm x8</p>	<p>3983</p>  <p>10 g x1</p>	<p>4057</p>  <p>48x16x19.5 mm x2</p>
<p>IN01613</p>  <p>Ø4,0x20 mm x10</p>	<p>3877</p>  <p>Ø6,0X13 mm x4</p>	<p>3984</p>  <p>4 mm x1</p>	<p>3804</p>  <p>L-350 PR-0B-350-10 PR-1</p>
<p>IN00445</p>  <p>x5</p>	<p>68850</p>  <p>Ø35 mm , KR15 x2</p>	<p>145556</p>  <p>Ø4.0X25 mm x4</p>	<p>IN01550</p>  <p>x2</p>
<p>IN00377</p>  <p>1065 mm x1</p>			



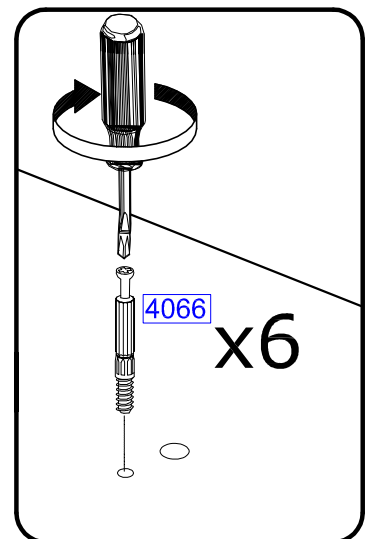
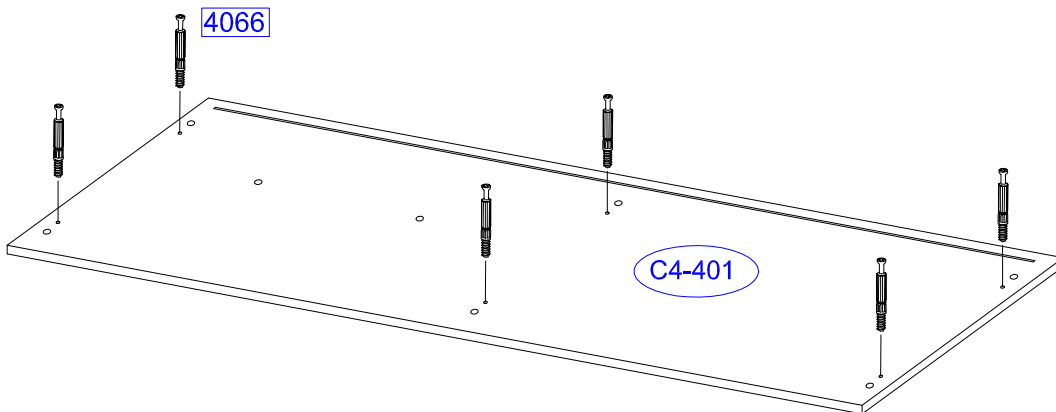
1

 4066 x6	 IN00445 x5	 IN01613 x10	 ⊕ PH2
--	---	--	---



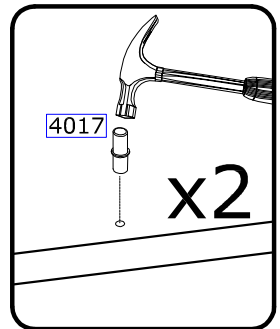
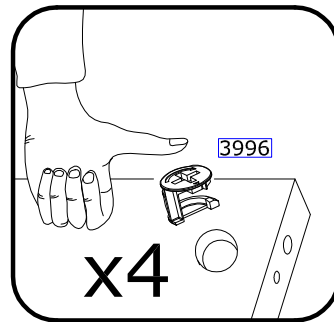
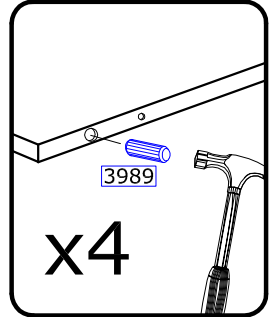
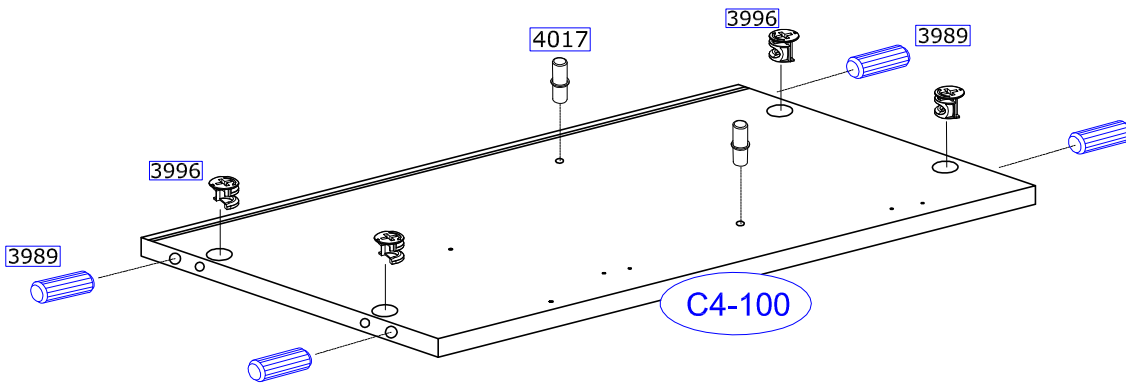
2

 4066 x6		 ⊕ PH2
---	--	--



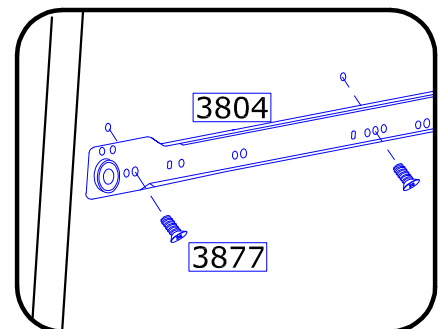
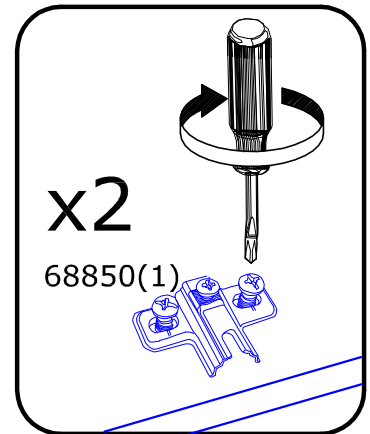
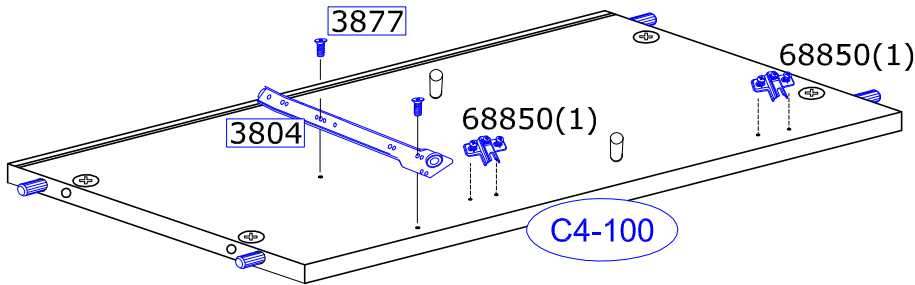
3

3989  x4	3996  x4	4017  x2		
--	--	--	--	--



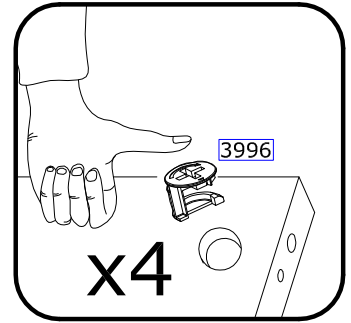
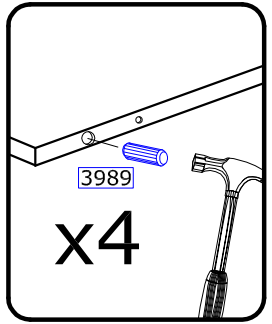
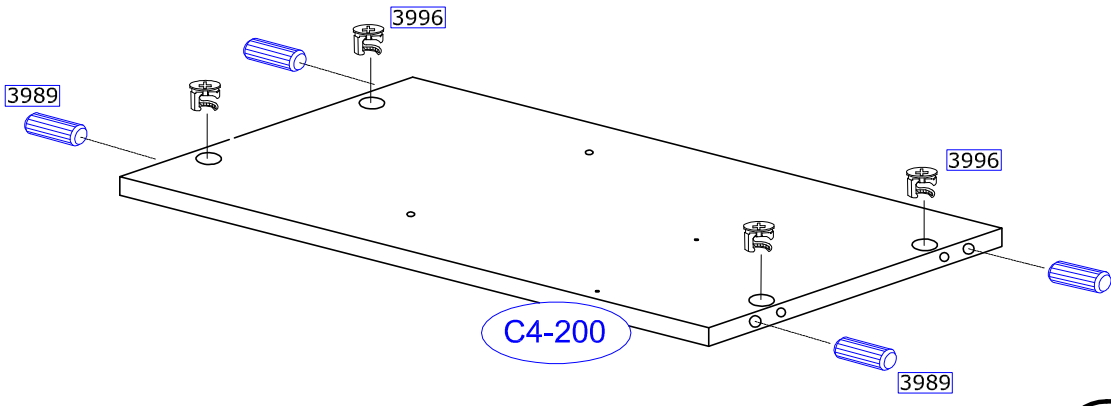
4

3804  x1	3877  x2	68850(1)  x2		
---	---	---	--	---



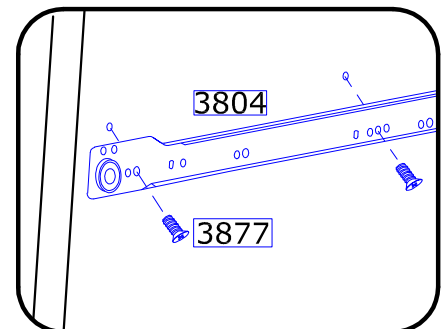
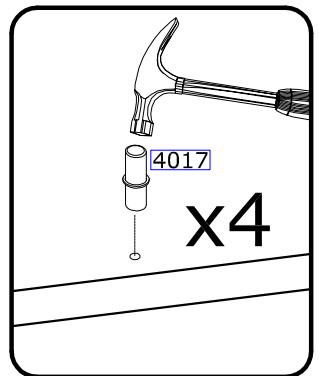
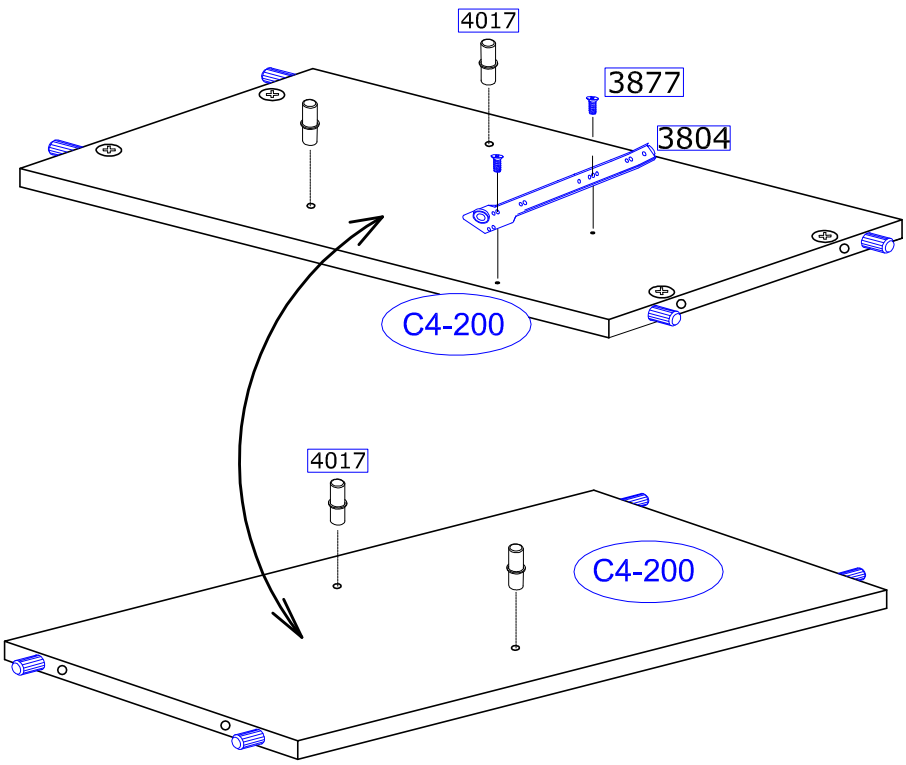
5

 <p>3989 x4</p>	 <p>3996 x4</p>		
---	---	--	--



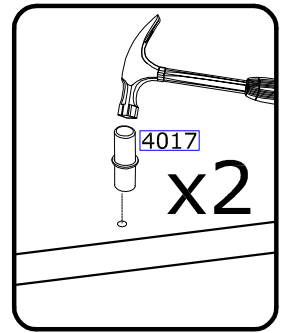
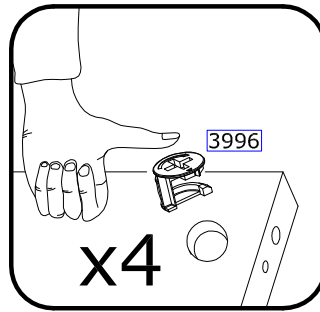
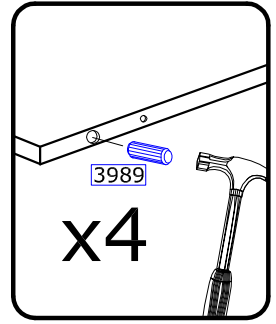
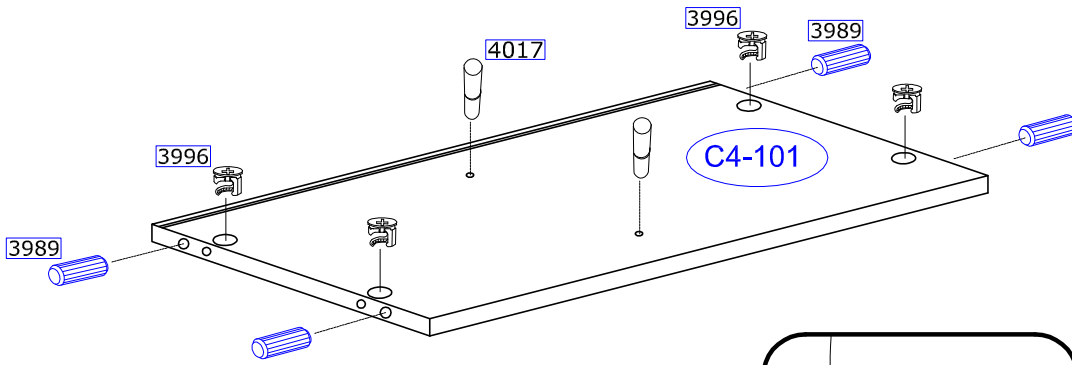
6

 <p>3804 x1</p>	 <p>3877 x2</p>	 <p>4017 x4</p>		 <p>⊕ PH2</p>
--	--	--	--	--



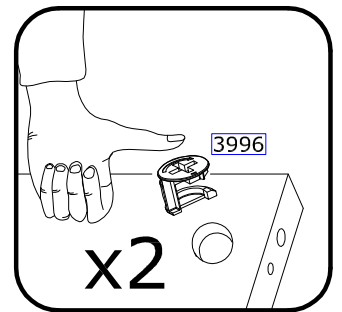
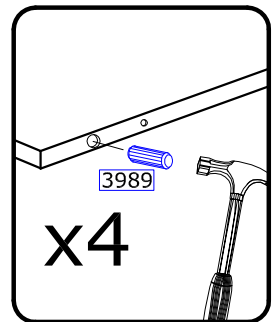
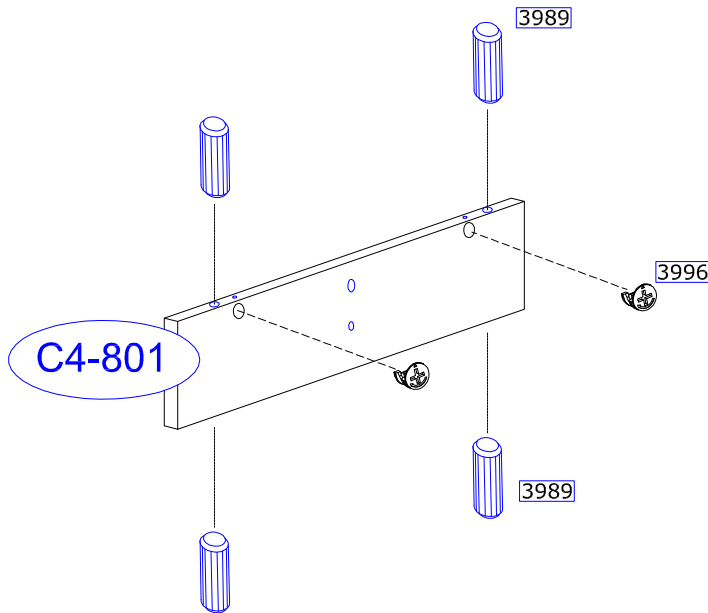
7

 4017 x2	 3996 x4	 3989 x4		
--	--	--	--	--



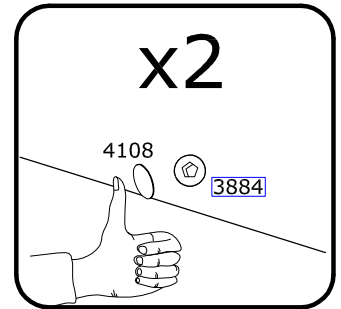
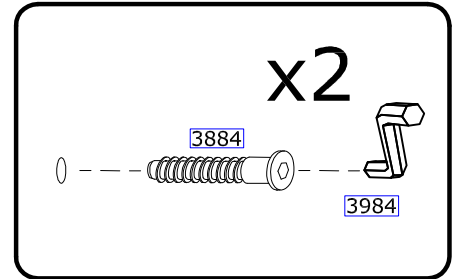
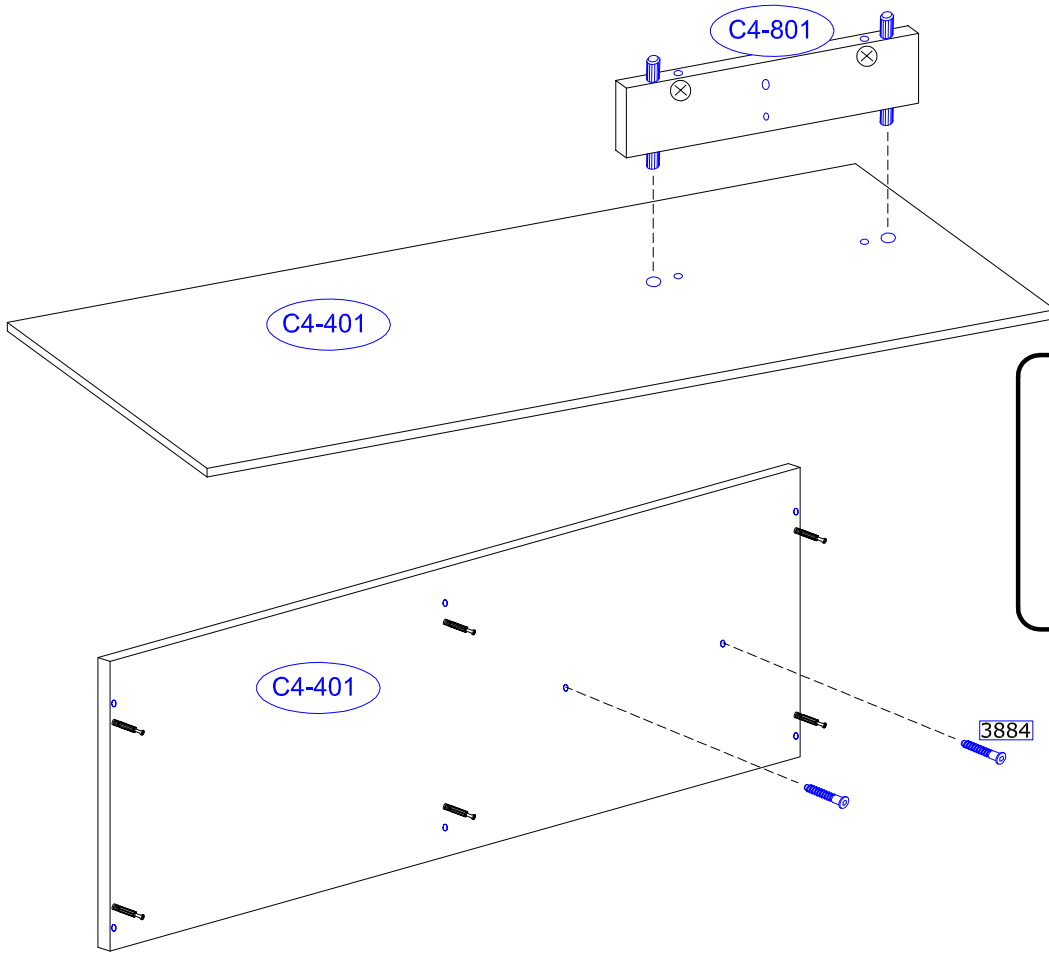
8

 3996 x2	 3989 x4		
---	---	--	---



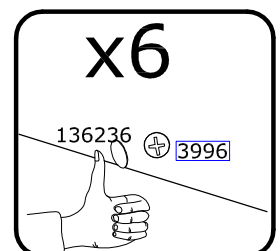
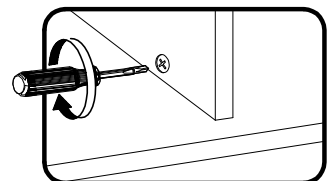
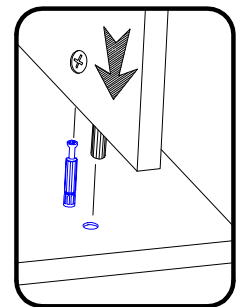
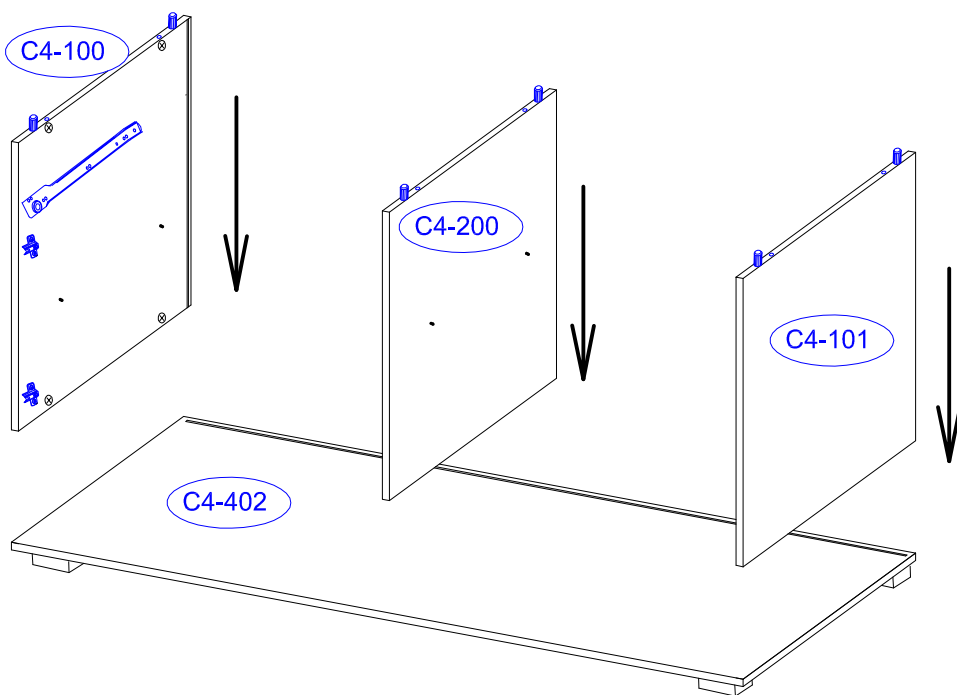
9

3884  x2	4108  x2	3884  x1		
--	--	--	--	--

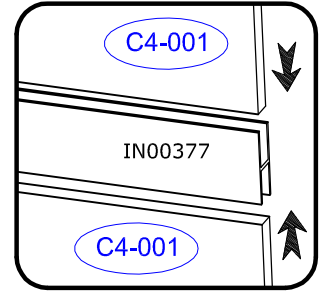
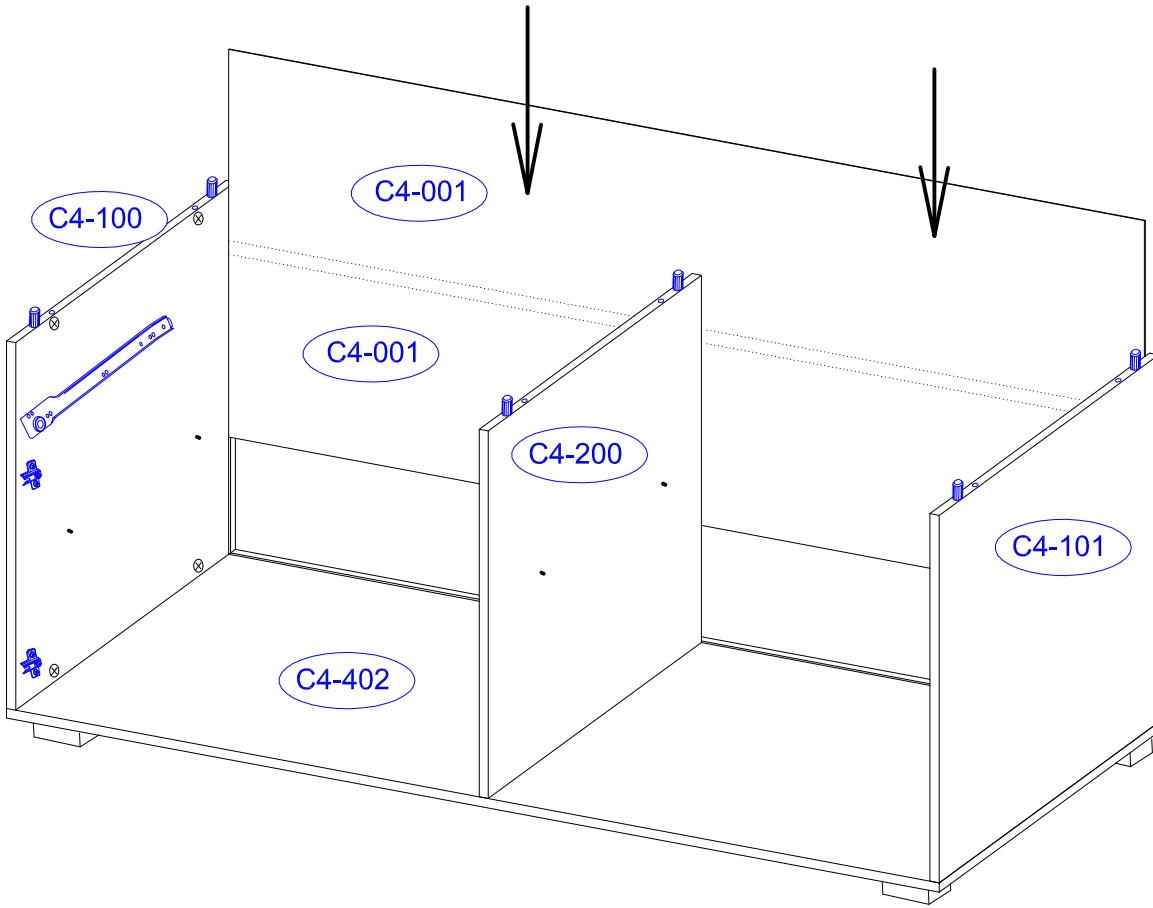
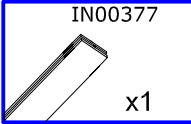


10

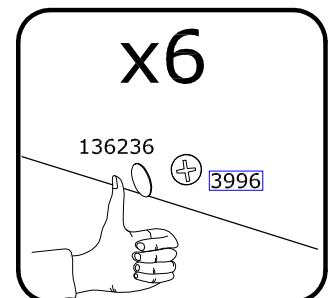
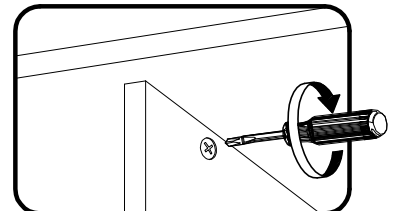
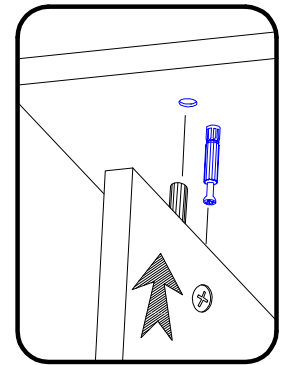
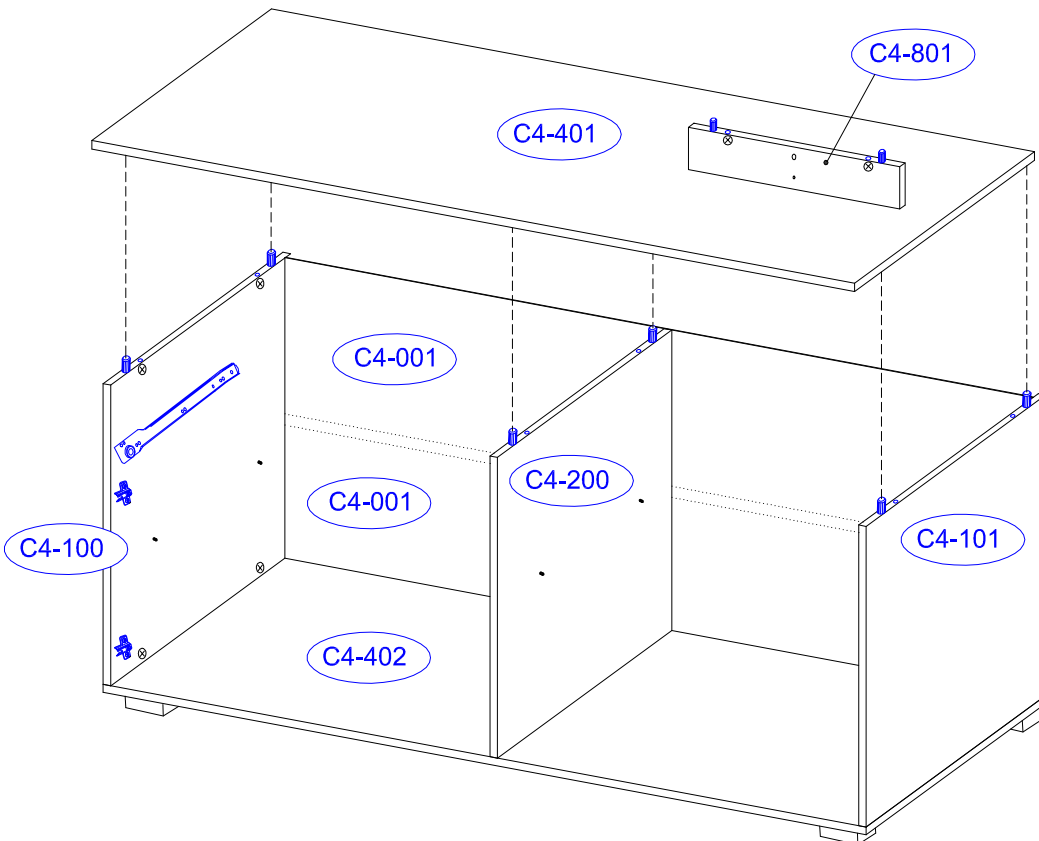
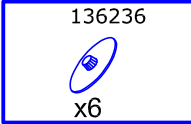
136236  x6		⊕ PH2 
---	--	--



11

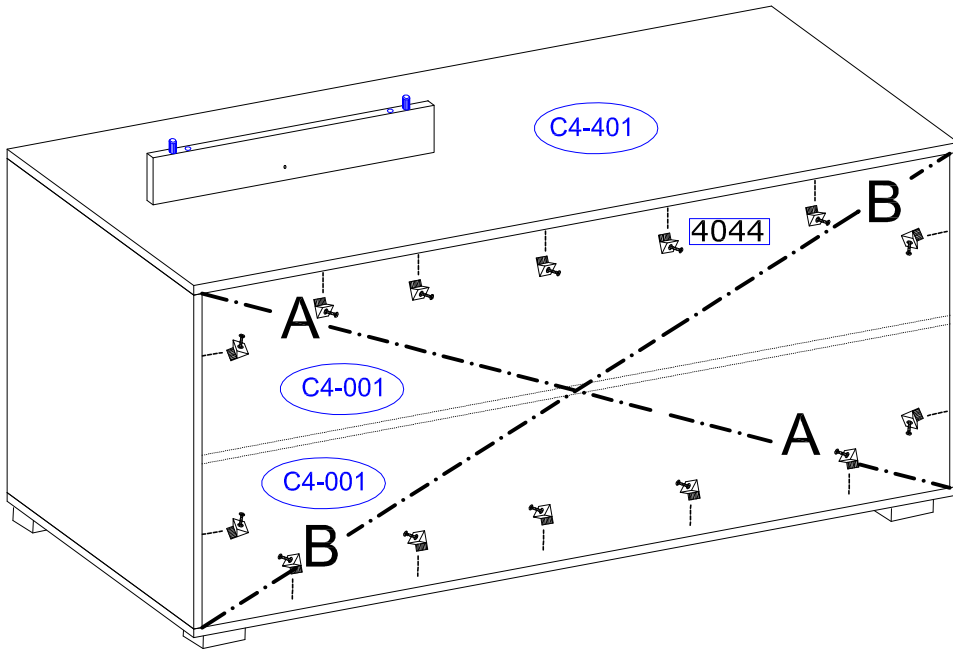


12

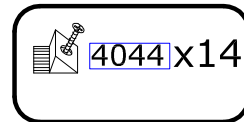
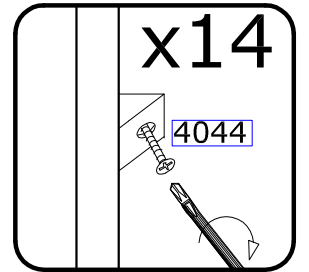
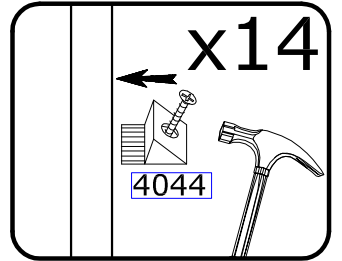
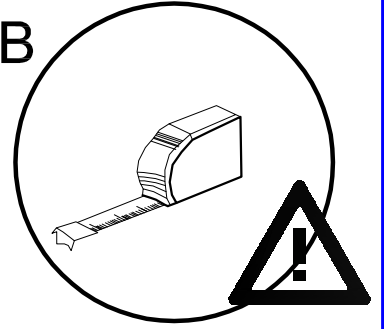


13

4044
x14



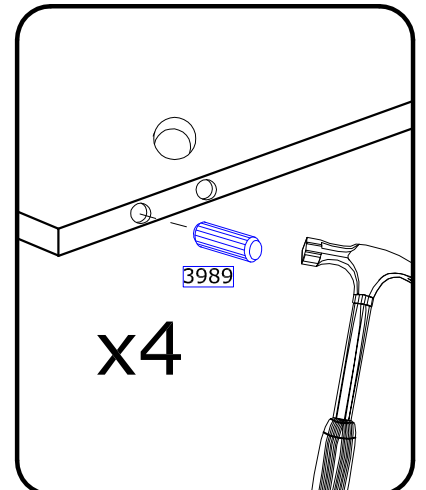
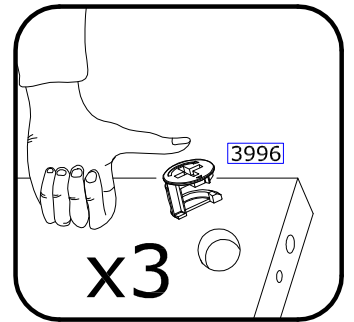
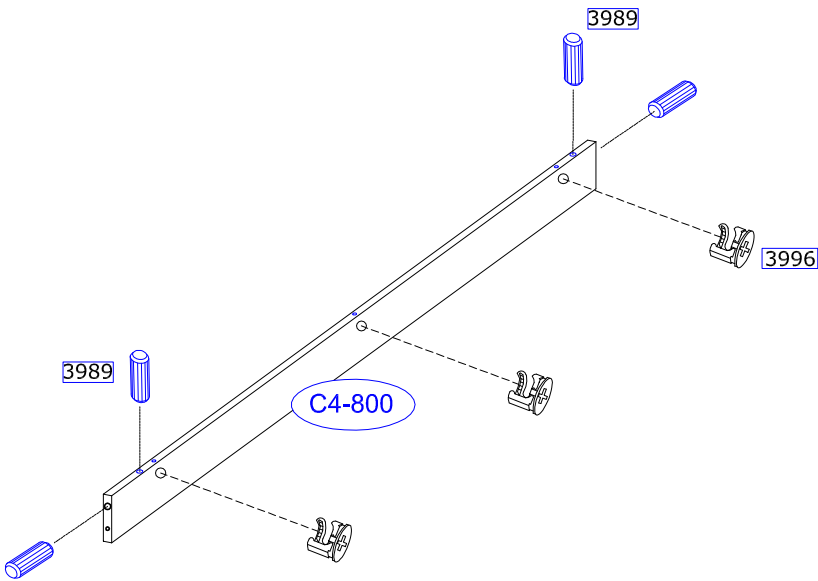
A=B



14

3989
x4

3996
x3



15

3989



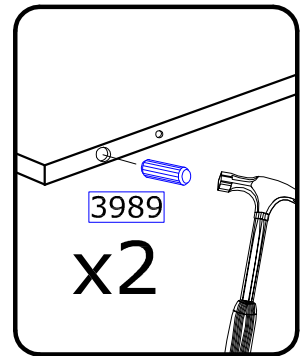
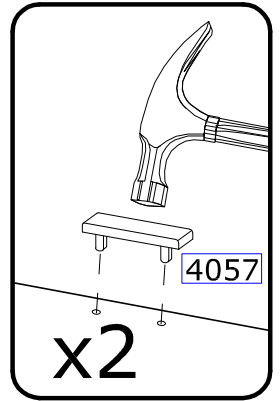
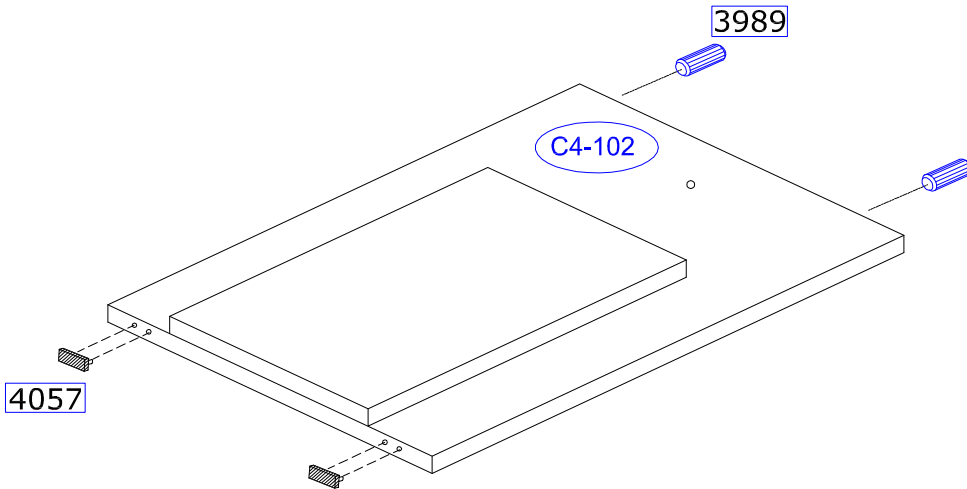
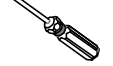
x2

4057



x2

⊕ PH2



16

3884



x2

4108



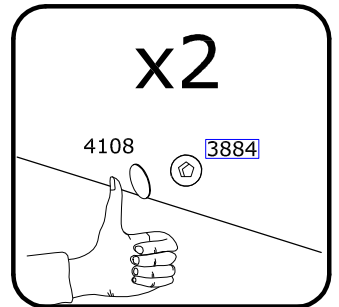
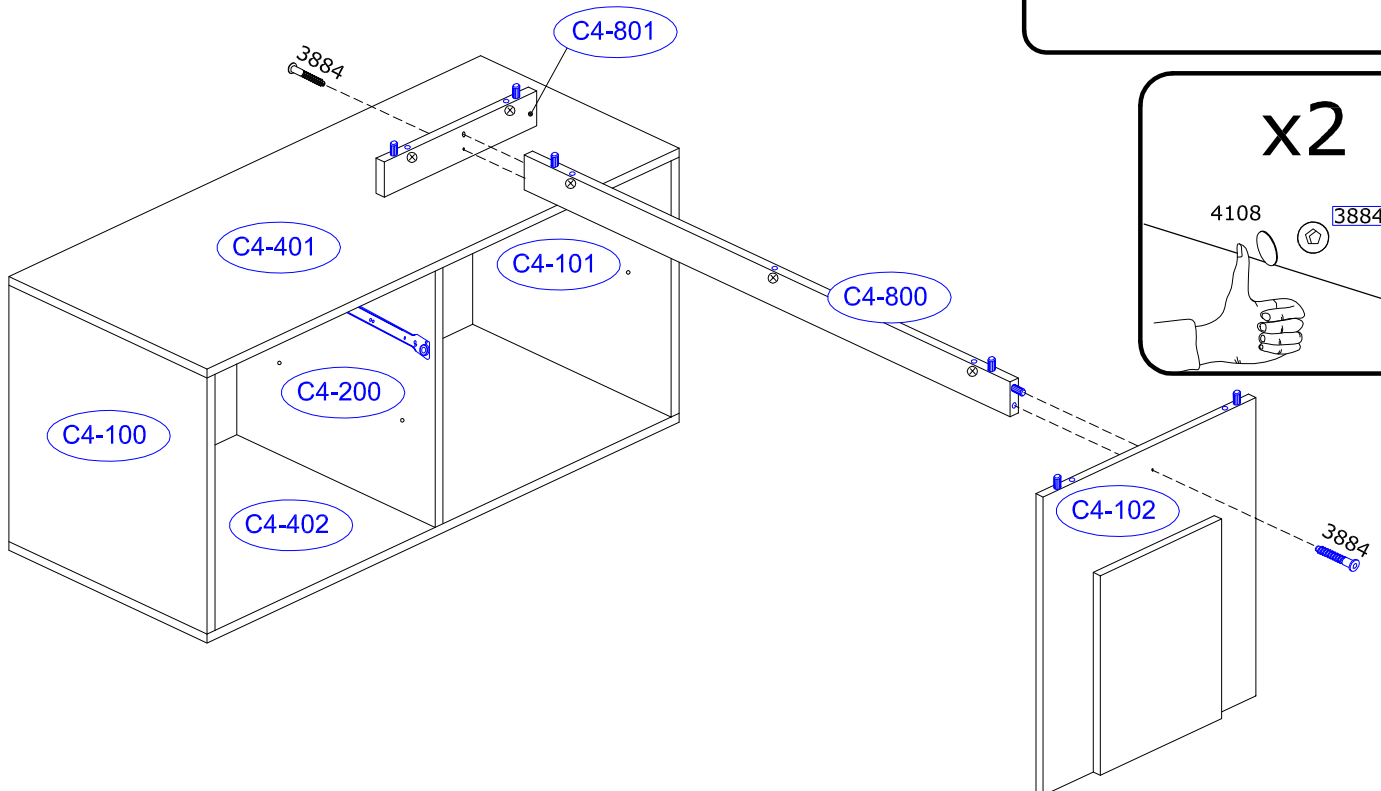
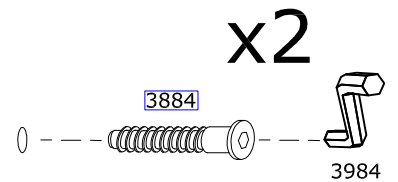
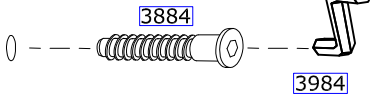
x2

3884



x1

x2



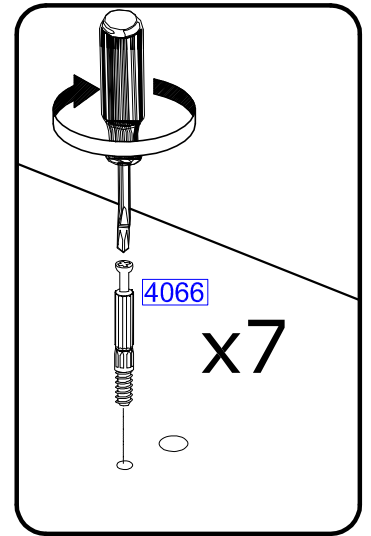
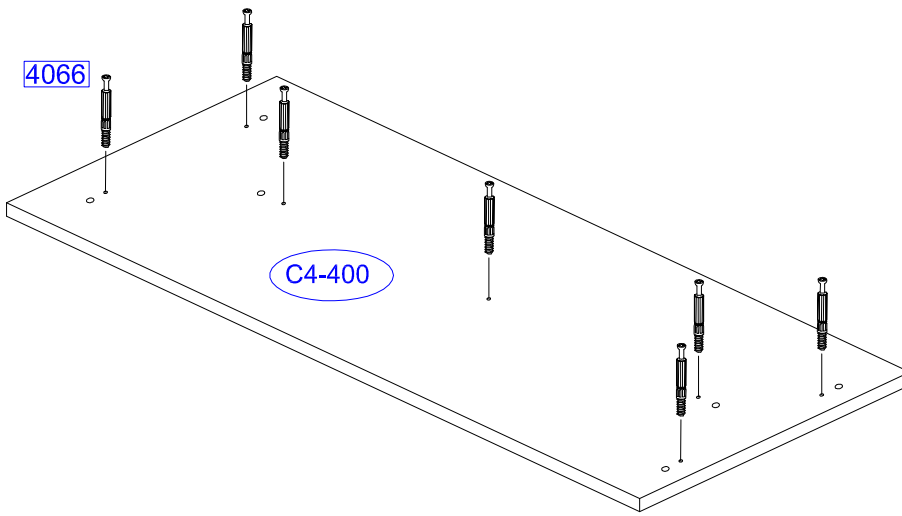
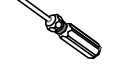
17

4066



x7

⊕ PH2



18

3996



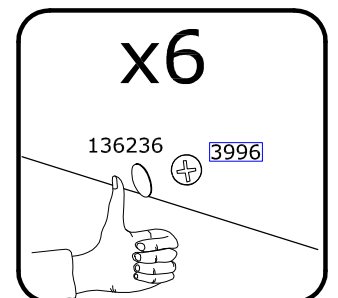
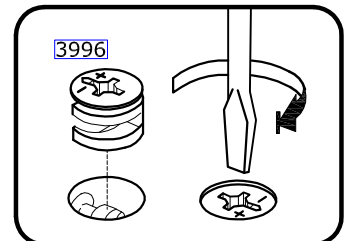
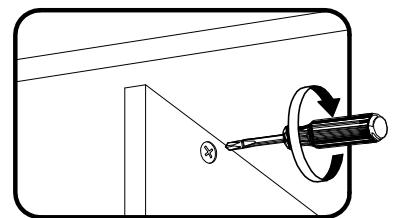
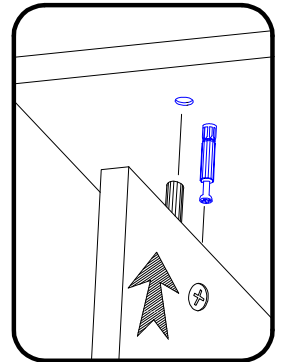
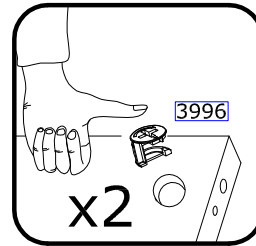
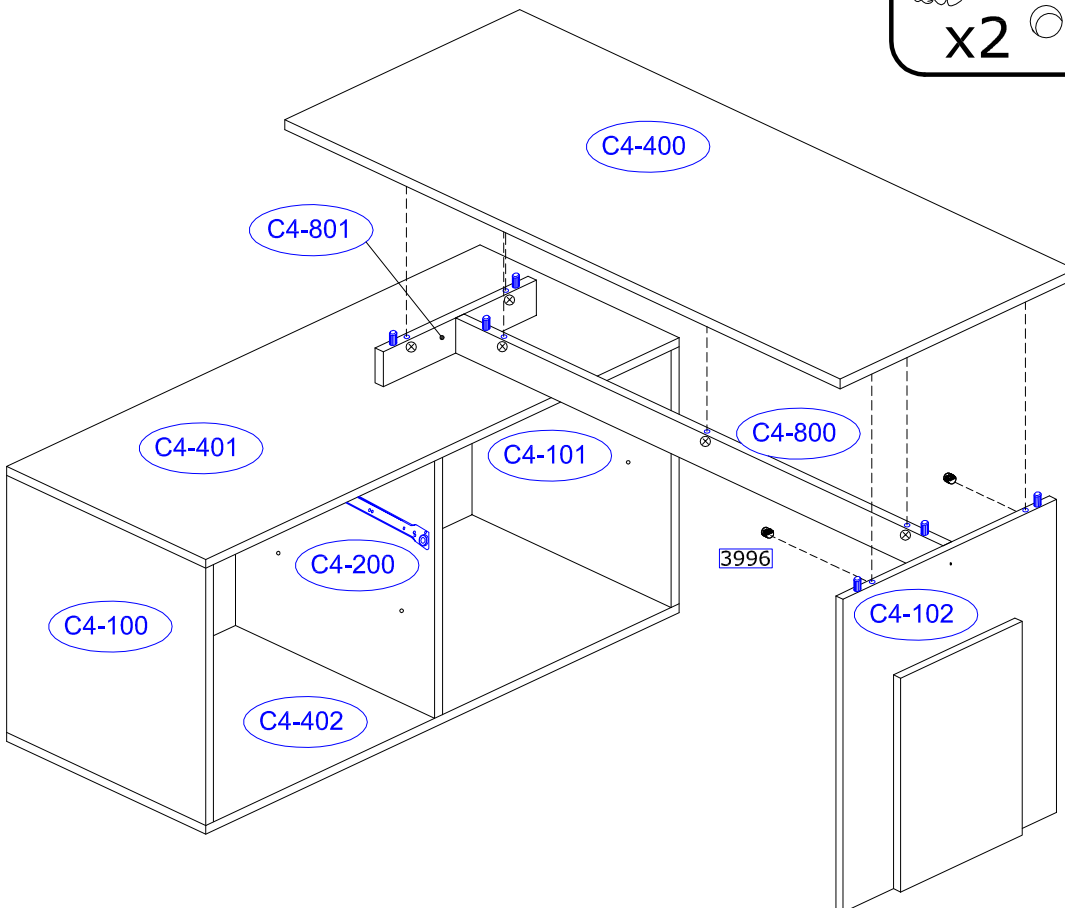
x2

136236



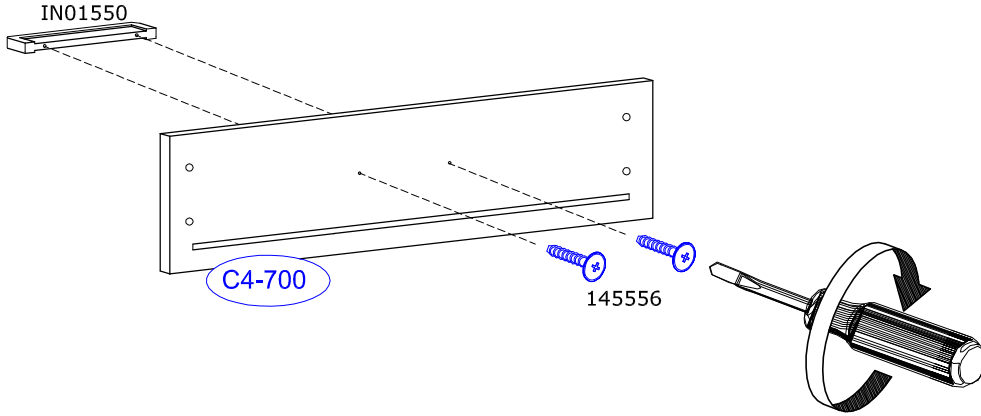
x7

⊕ PH2



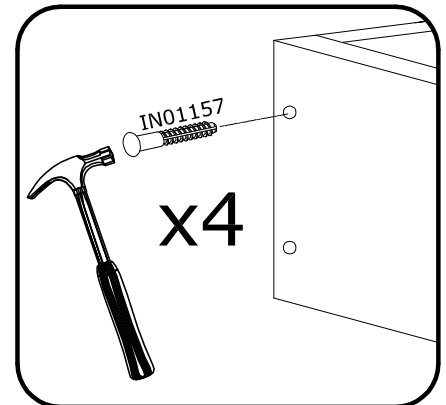
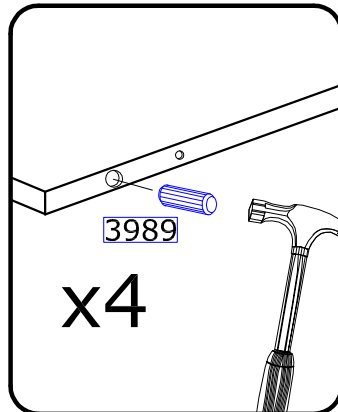
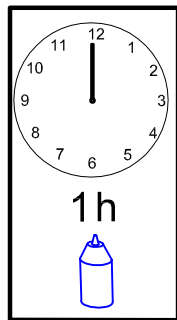
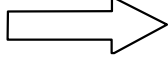
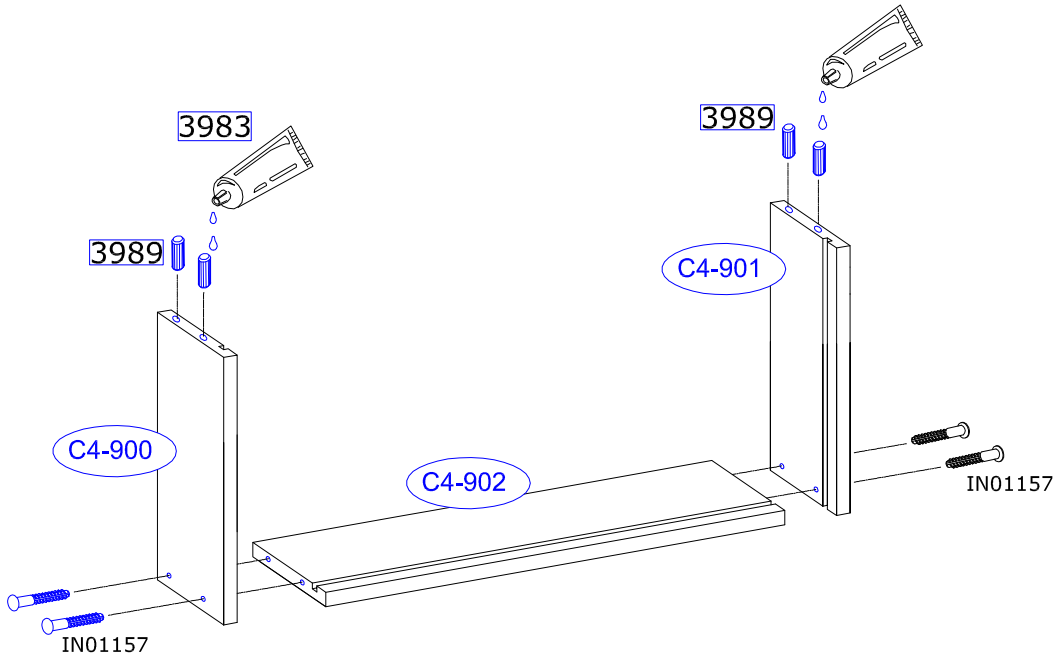
19

IN01550  x1	145556  x2		 ⊕ PH2
---	--	--	--


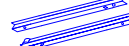





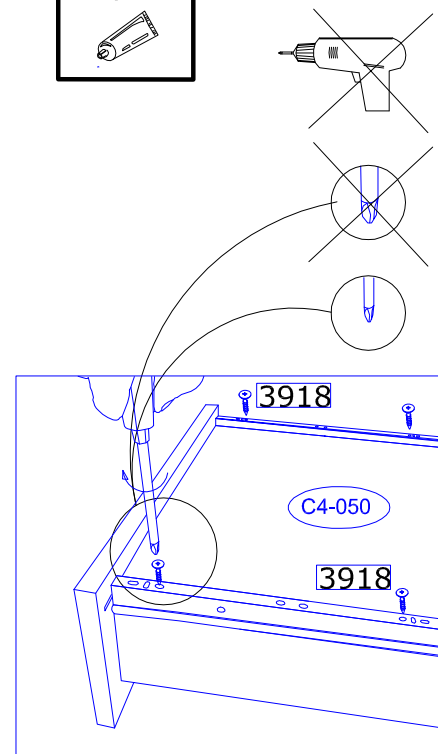
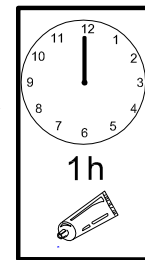
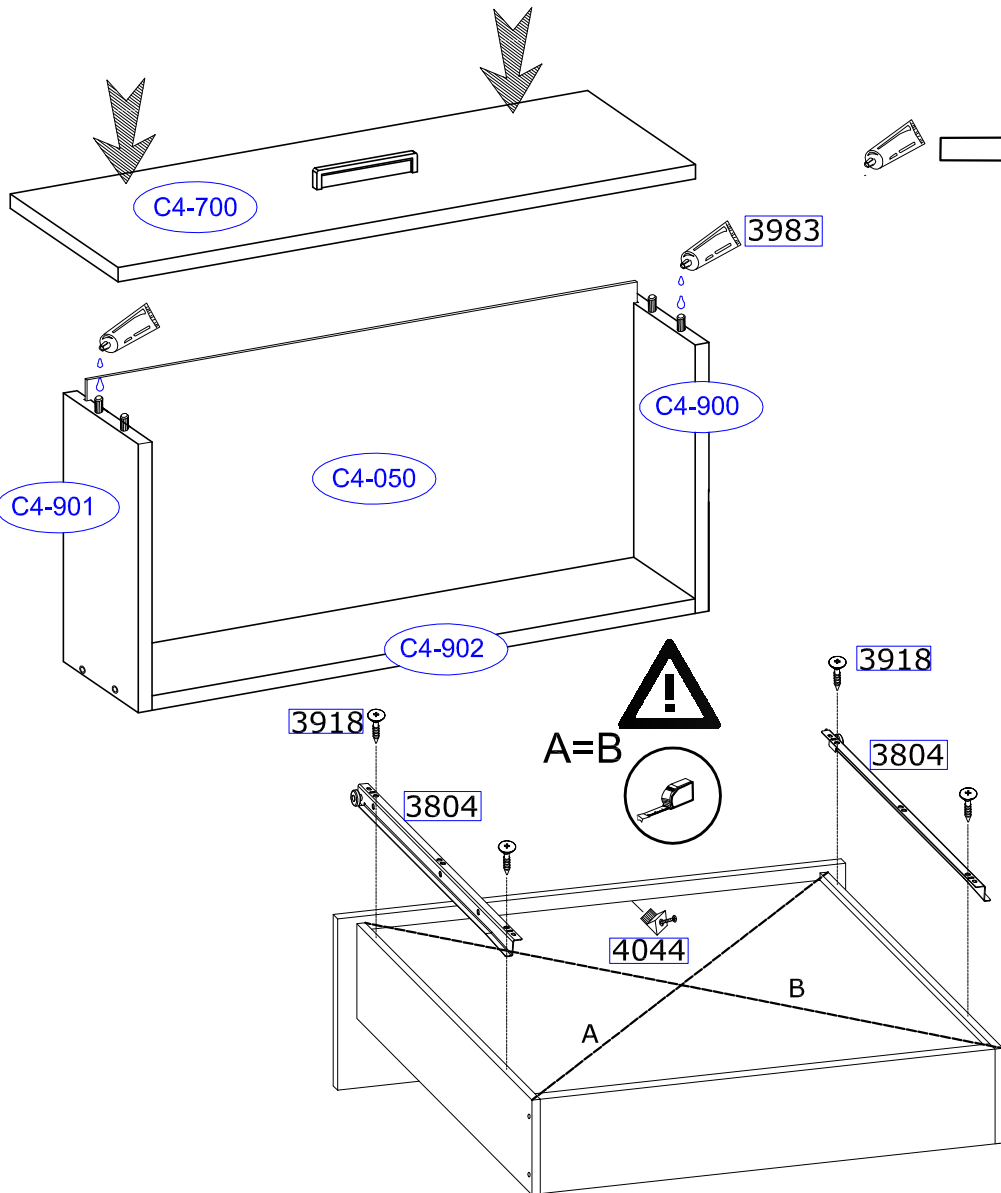
20

IN01157  x4	3989  x4	3983  x1	
--	---	---	---








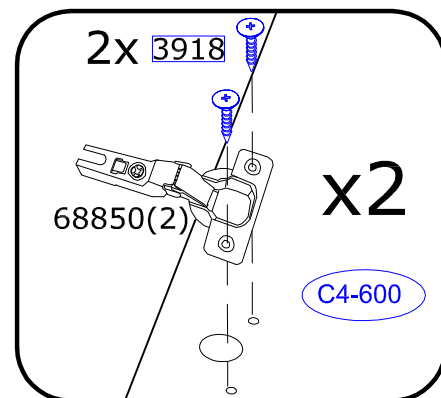
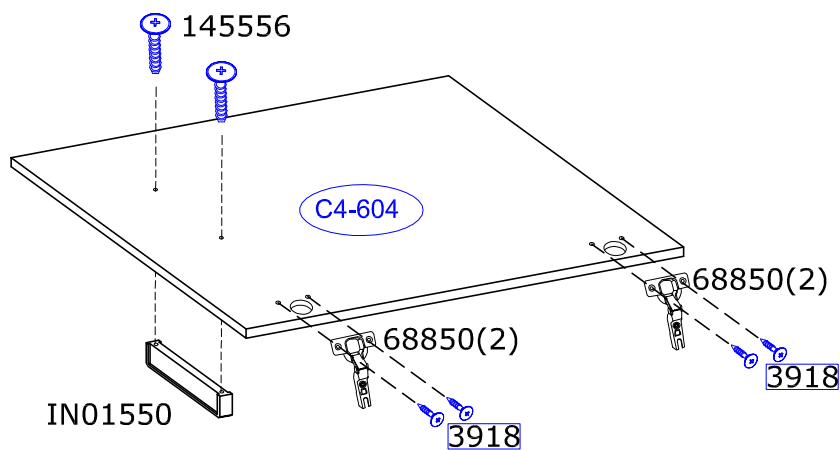
21

3804  x4	3804  x1	3983  x1	4044  x1		 ⊕ PH2
--	--	--	--	--	---

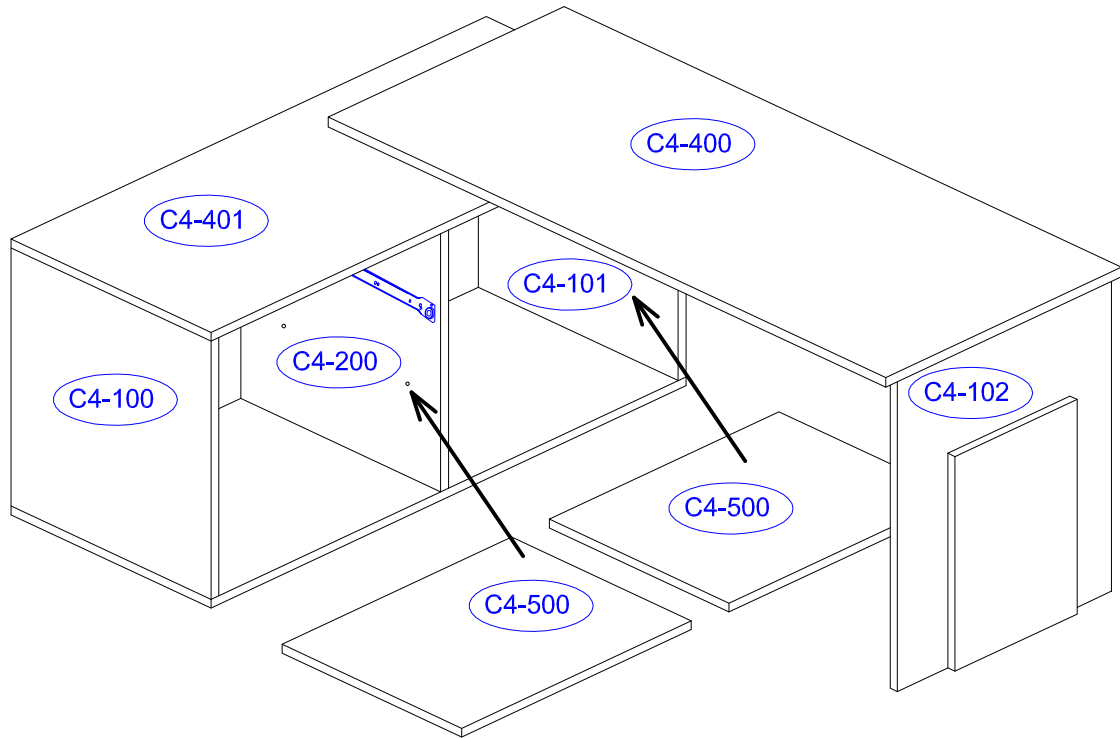


22

IN01550  x1	145556  x2	3918  x4	68850(2)  x2		 ⊕ PH2
--	---	---	---	--	--



23



24

